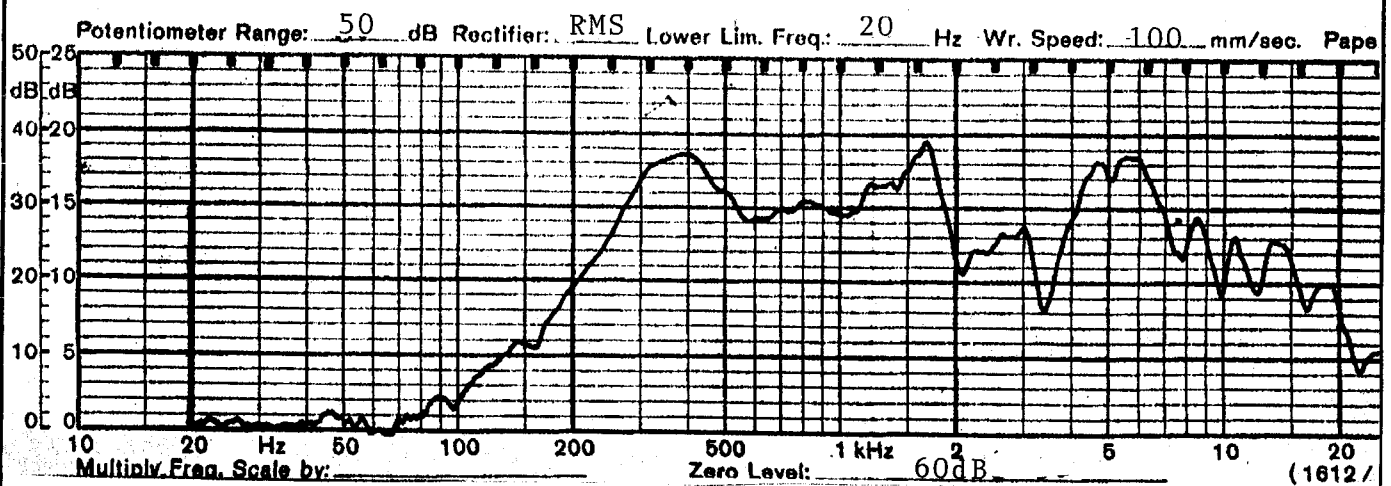
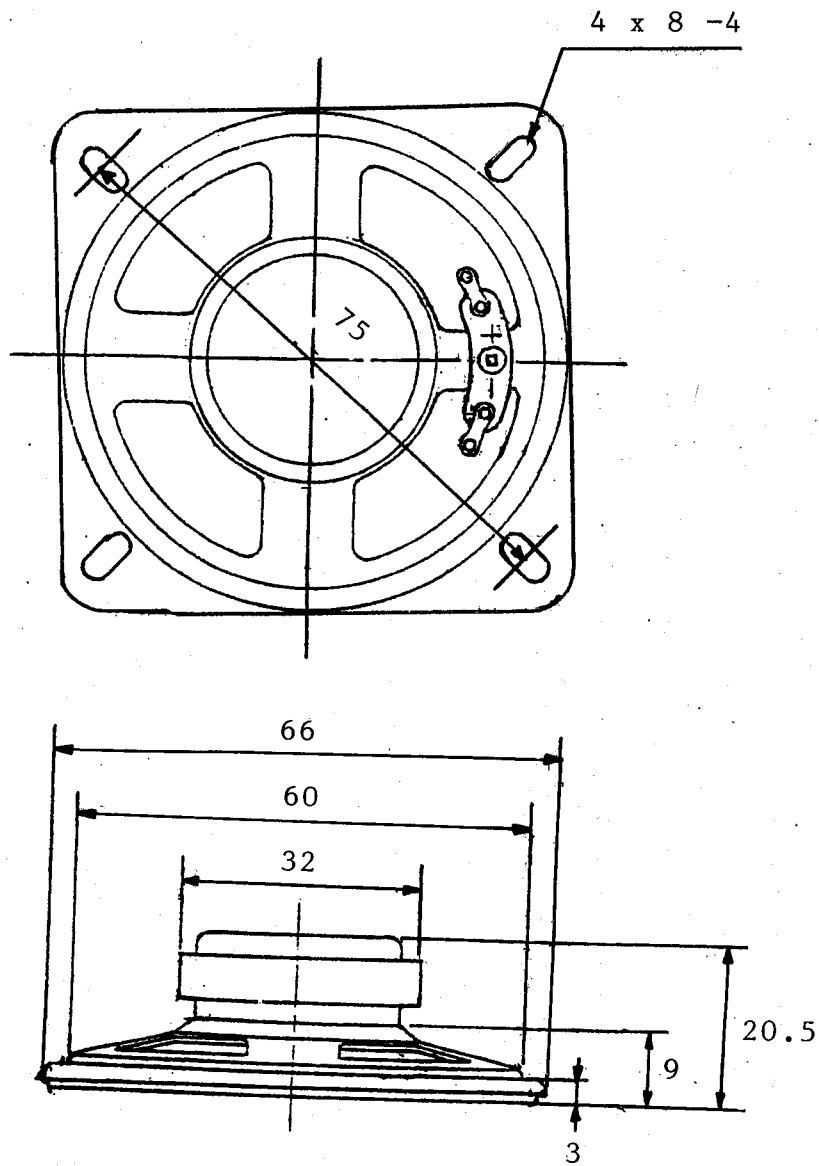


SPEAKER SPECIFICATION

Customers Name		承 認	審 核	製 作
Model	Customers No.			
	Our Model No.	GF0666MHX	(ROHS)	
1	Type			
2	Nominal Size	66	mm.	2-1/2" inch.
3	Impedance	8 $\Omega \pm 15\%$	at.	800 Hz. 1 V.
4	Resonance fo	370 Hz. \pm 74 Hz.	F0 Hz.	1 V.
5	S.P. Level	88 dB/w \pm 3 dB	1w 50 cm average at 600, 800, 1K, 1.2K Hz.	
6	Response	fo Hz ~ 3.5K Hz MAX 10dB		
7	Crossover Freq.	Hz	Hz	dB/OCT Net work
8	Input Power	Nominal input 2 w.	Handling Capacity	3 w.
9	Operation	Must be normal at program source 2 w.		
10	Buzz, Rattle, etc.	Must be normal at Sine Wave 2.54 V.		
11	Flux Density	Gauss $\pm 10\%$		
12	Total Flux	Max well min		
13	Magnet	Size 32 x 18 x 6 mm	gr	oz
14	Total weight		gr	oz
15	Lond Test	After test meet item 9 and 10	White noise 2 W.	5 Hours
16	Distortion	% MAX	Hz	W.
17	Heat Test	After test meet item 9 and 10	40 \pm 2 \pm °C	20-50 %R. H 48 Hours
18	Humidity Test	After test meet item 9 and 10.	40 \pm 2 \pm °C	90-95 % R.H 48 Hours





TOLERANCE: ± 0.5 M/M

APPROVED	CHECKED	DRAWING	CUSTOMER'S PART NO.
			AMAOTO'S PART NO. GF0666MHX

AMAOTO INDUSTRIAL CO., LTD.